

CON-Line[®] W Lift 55 - 75"

Media column with an integrated lift, floor-wall mounting

Item no.: 2812

The CON-Line W Lift 55 - 75" is a media column for floor-wall mounting with an integrated lift. Due to its compact design, it can be placed almost anywhere.

It is suitable for screens with a size from 55" up to 75" | 140 - 191 cm. The fine adjustable VESA mount can be fitted up to VESA 800 x 400 mm max.. The screen is mounted in landscape format.

The electro-motorised height adjustment is controlled via a push button control. It has four memory slots to save individual presets.

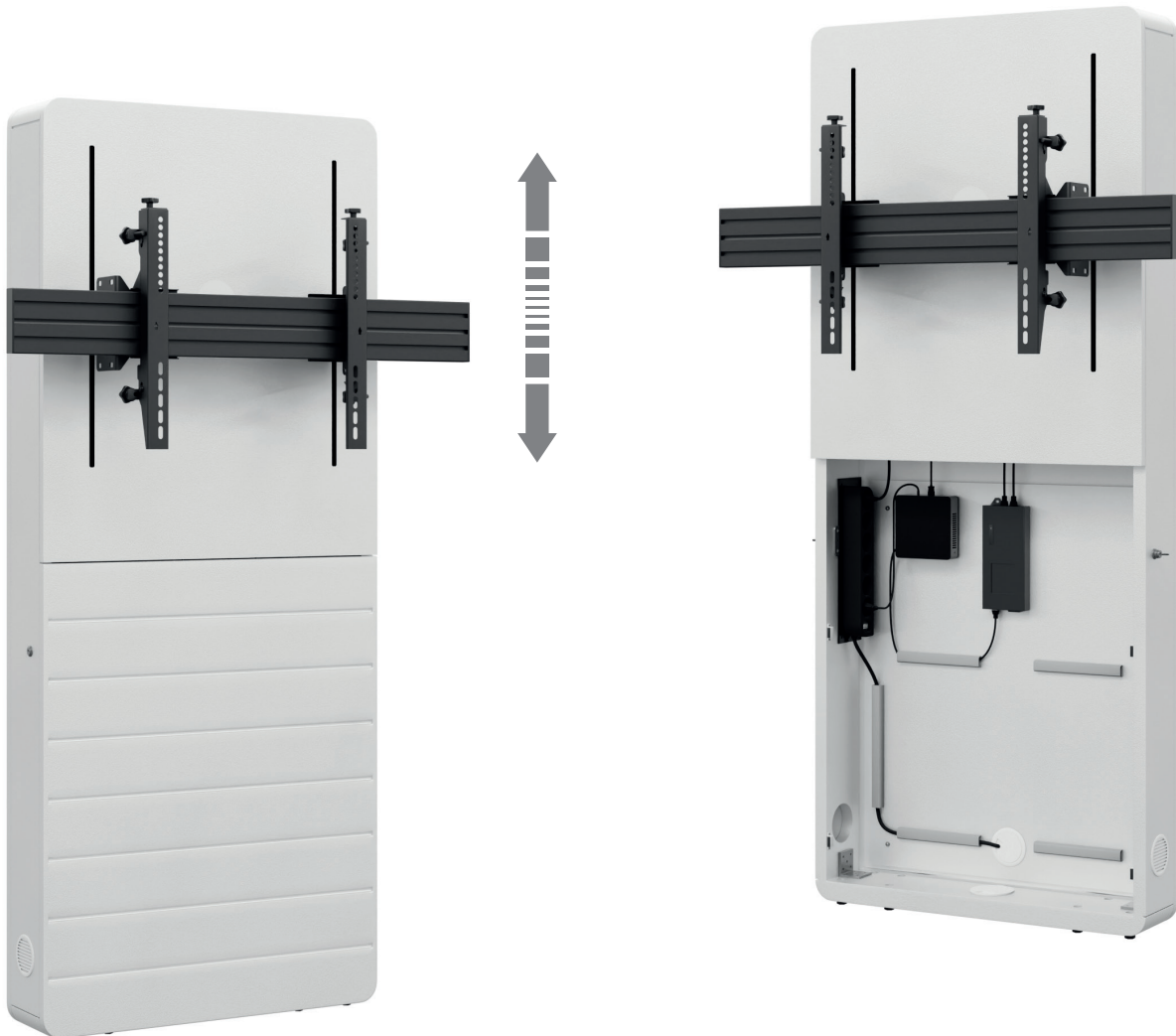
The lift has a stroke of 500 mm and is equipped with collision protection, which means that the lift stops as soon as resistance is encountered.

The removable AV mounting plate makes the installation quick and easy. Ventilation grilles in the corpus provide sufficient ventilation. AV accessories are protected behind the front panel with magnet lock. Retractable security locks on both sides of the corpus provide additional security.

Due to the space saving floor-wall mounting not much space is required. Levelling feet mounted underneath the corpus provide levelling if required.

The maximum load is 75 kg.

Other colour or decor variants (corpus) are available on request - also as unique piece.



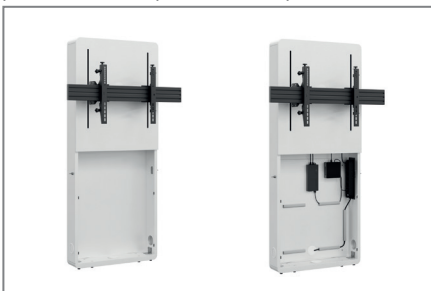
CON-Line[®] W Lift 55 - 75" Media column with an integrated lift, floor-wall mounting

Item no.: 2812

- Media column with an integrated lift for floor-wall mounting
- Suitable for screens from 55 - 75" | 140 - 191 cm
- Screen mounting in landscape orientation
- VESA standard up to max. 800 x 400 mm
- Fine adjustable VESA arms with 10 mm depth adjustment, 20 mm height adjustment and $\pm 2^\circ$ level compensation
- Electro-motorised height adjustment with 500 mm stroke
- Collision protection - lift stops if there is resistance
- Push button control with 4 memory slots for individual presets
- Ventilation grilles in the corpus
- Easy assembly with removable AV mounting plate
- AV accessories are protected from unauthorised access inside the furniture corpus behind the front panel with magnetic lock
- Retractable security locks on both sides of the corpus
- Adjustable feet for levelling
- 75 kg load, max.
- Colour: white
- Colour or decor variants for the corpus are available on request - also as unique piece



Levelling feet under the corpus provide level compensation if required



Accessories are protected inside the corpus



Easy assembly thanks to removable AV mounting plate

